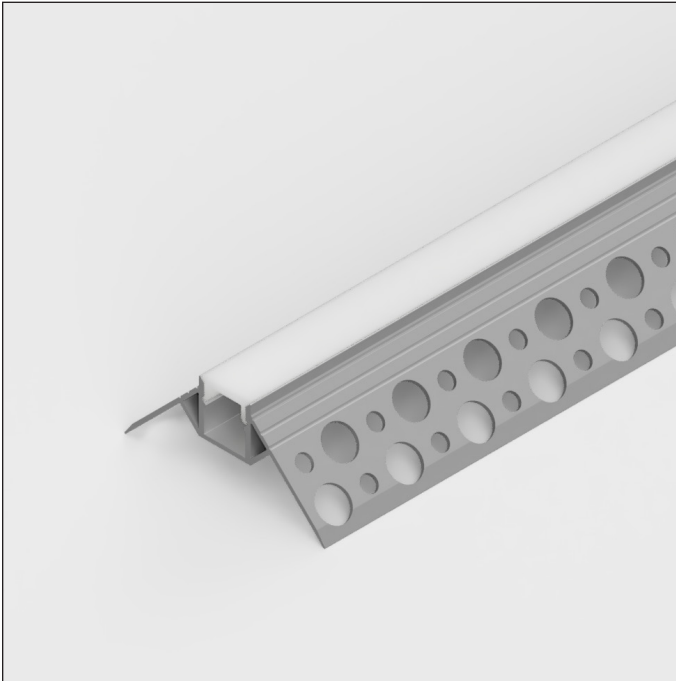


Plaster-In Outer Corner LED Profile

Aluminium - IP20 - Max. Strip Width 10mm

tagra®

SKU: 4822SCD



SIL

10mm
Strip Width

IP20

Key Features

- ▶ Outer Corner
- ▶ Plaster-In
- ▶ Max. Strip Light Width 10mm
- ▶ Available in 2M and custom lengths
- ▶ Available in silver
- ▶ Anodized Aluminium

Product Data

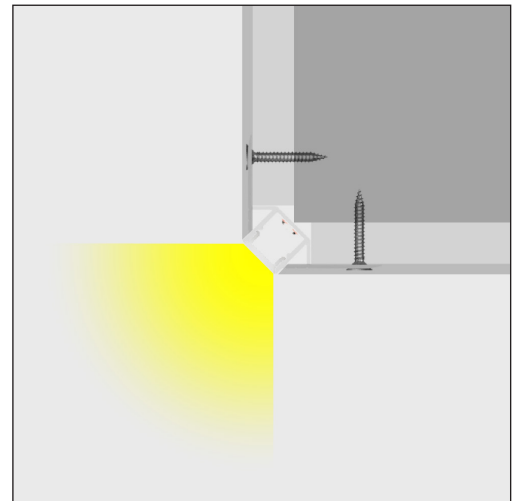
Lengths	2000mm, 3000mm
Max. Dimensions	50.7mm x 22.4mm
Max. Strip Width	10mm
Depth	11mm
Colours	Silver
Material	Anodized Aluminium
Diffuser Available	Semi-Clear
IP Rating	IP20
Installation Type	Plaster-In
Accessories Available	Endcaps

Available SKU's

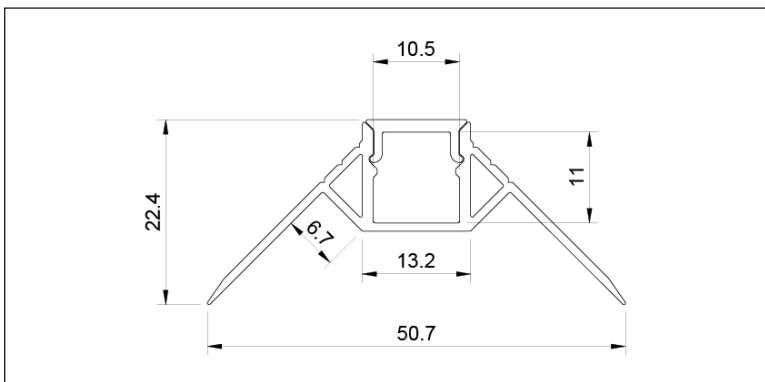
4822SCD-2M

4822SCD-3M

Installation



Dimensions



Available Accessories

Type	SKU	Colour/Material	Note
Diffuser	DIF-PLSLIM-2M/FR	Opal	2M
Diffuser	DIF-PLSLIM-3M/FR	Opal	3M
Endcap	4822-EC	Grey	Set of 4

