

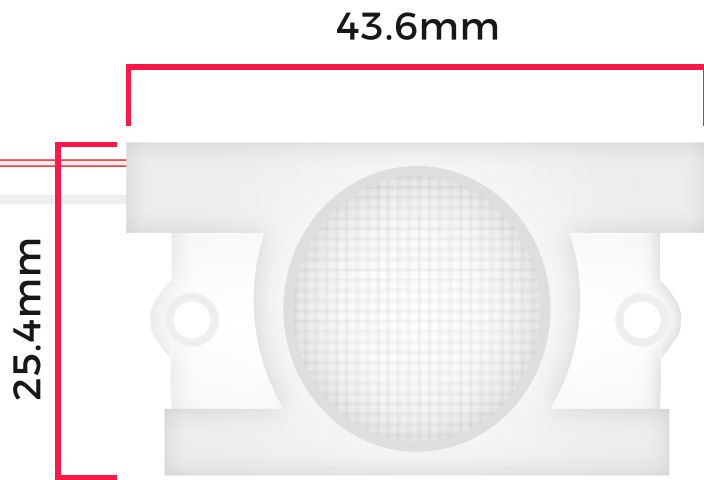
MOD302012V1WIP

NARROW ANGLE 3020 1.2W, 12V, IP67 MODULE

Our High Brightness Modules are perfect for signage and 3D letter lighting, lightboxes, POS systems and furniture backlighting. High brightness and high power with a wide beam angle of 170°.

Great for Outdoor lighting and IP67 rated featuring, internal current stabilization, built in heat sink plate and unrivalled 5 year warranty.

Sold in a chain of 20 Modules



Rated voltage:	12V
Power Consumption per Module:	1.2 Watts
Power Consumption per Chain:	24 Watts
Current Consumption per Module:	0.1A
Current Consumption per Chain:	2A
LED Type:	3020
LED Qty Per Module:	1 pcs
Colour Temperature:	7000K
Lumens per Module:	115lm
Lumens per Watt	95.8lm/w
Beam Angle:	14x50°
Lifespan:	Upto 50,000 Hours
Wire Length:	150mm
Wire Designation:	White & Red(+) and White(-)
IP Rating:	IP67
Working Temperature:	-40°C +50°C
Dimensions per Module	43.6 x 25.4 x 4.6 mm
Chain Length	3 Metres
No. of Modules per Metre	5
Mounting Screw Hole Size:	M3
Housing Material:	ABS

NARROW ANGLE 3020 1.2 WATT 12V MODULE

7000K | 20 MODULE CHAIN | 1.2W PER MODULE