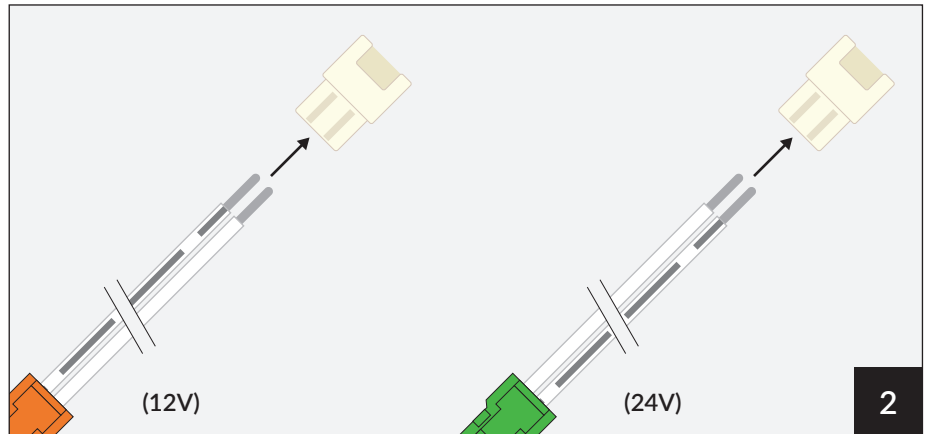


1

Cut tape to desired length(s) using the designated cut-points.

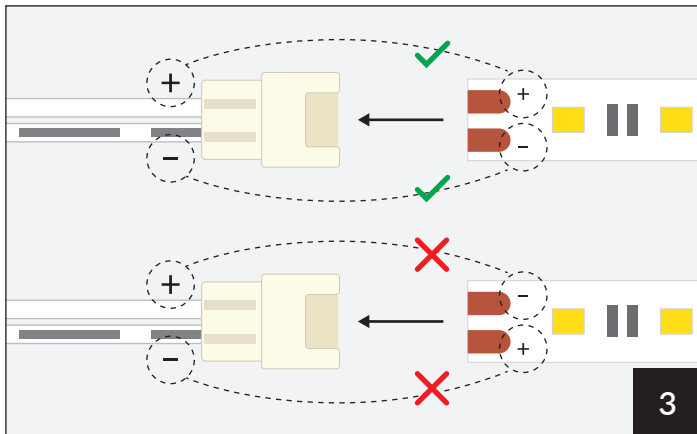


(12V)

(24V)

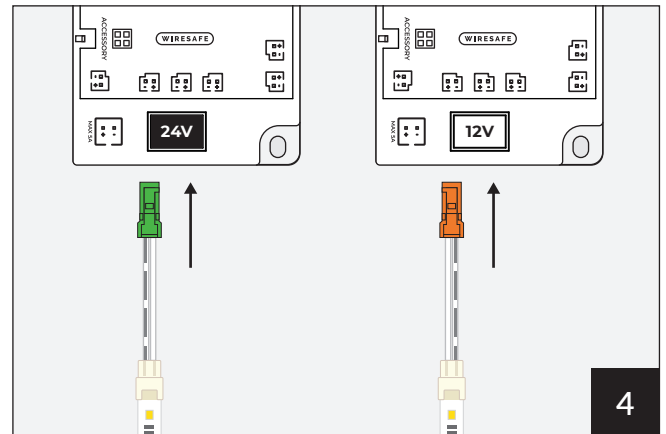
2

Insert tinned wire ends into snap connector. This should be a tight fit.



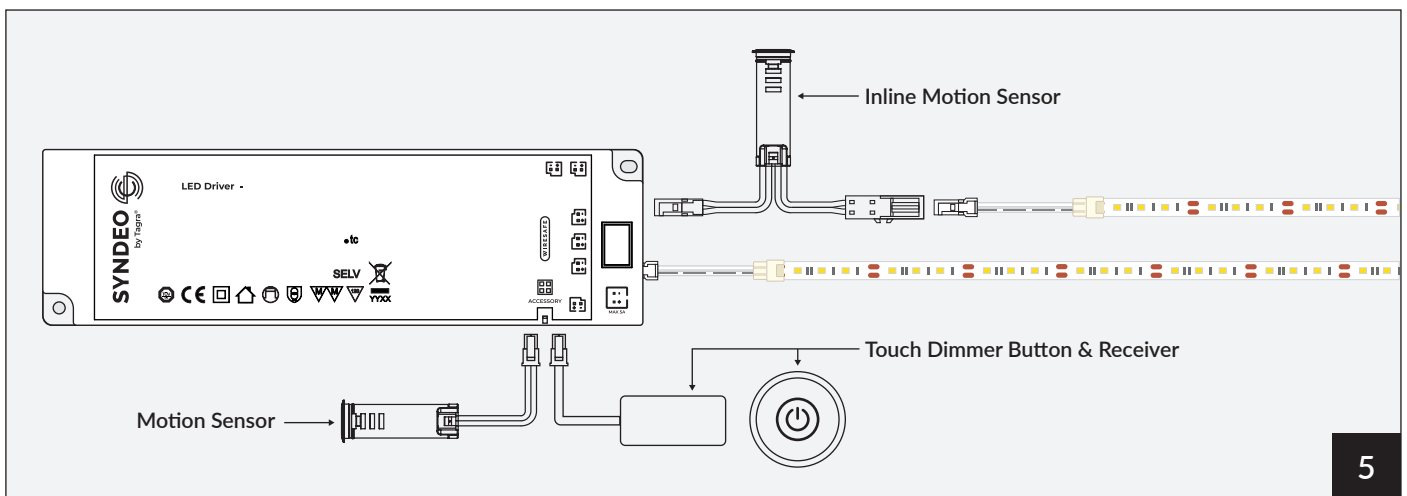
3

Insert LED strip into slotted end of snap connector, ensuring + and - polarity matches that of the wire and snap down.  
- *The wire with the printed lines is negative (-) the plain wire is positive (+)*



4

Insert Syndeo connector into Syndeo driver. Multiple LED strips can be connected depending on number of ports and power capabilities.



5

Attach optional dimmers and sensors to control your lighting system.

Note: Inline sensors are only compatible with 12V systems. All other dimmers and sensors work on both 12V & 24V systems.