

# 12V EASY TO USE LED TAPE KIT, VERY WARM WHITE 2700K, 120 LEDS P/M, IP20 (5 METRES)

| SKU: SKIT-2835VW1205



ULTRA LEDs

[ultraleds.co.uk](https://ultraleds.co.uk)

0800 088 3300

[orders@ultraleds.co.uk](mailto:orders@ultraleds.co.uk)



## FEATURES & BENEFITS

- Solderless circuit connection
- No need for an Electrician
- Plug + Play strip lighting solution
- Compatible with Syndeo sensors and dimmers for solderless controllable strip lighting
- Driver contains a fuse to assist with BS7671 Regulation

IP20

2700  
K

12V

CE  
EMC

CE  
LVD

RoHs

3YR  
Guarantee

## TECHNICAL INFORMATION

### Tape Specifications

SKU Code	SKIT-283VW1205
Voltage	12V
Watts p/M	9.6W p/M
No. of LEDs p/M	120 LEDs
Current	0.8A p/M   4A p/5M
Colour Temp	2700K
IP Rating	IP20
Lumens p/M	1080LM
Lumens p/W	100LM
LED Chip Type	2835
LED Chip Size	2.8mm x 3.5mm
Beam Angle	120°
CRI	>80
PCB Width	8mm
PCB Thickness	1.2mm
Cut Points	Every 2.5cm
Operating Temp	-20°C to 60°C
Average Lifespan	Upto 25000 Hours
Certification	CE-EMC CE-LVD RoHs
Guarantee	3 Years

### Driver Specifications

Input Voltage	AC100-265V
Surge Protection	< 2000V
Short Circuit Protection	Yes
Over Voltage Protection	Yes
Power Factor	PF ≥ 0.5
Max Amp Per Port	3A
Output Current	5A
Wattage	60 Watts
Voltage	12 Volts
Working Temp	-15°C to 45°C
Efficiency	Over 84%
IP Rating	IP20
Dimensions	212 x 56 x 22mm
Certification	CCC/TUV-CE/CB
Safety Standards	EN5022/ EN55015:2013/ A1:2015
Weight	400g

## DESCRIPTION

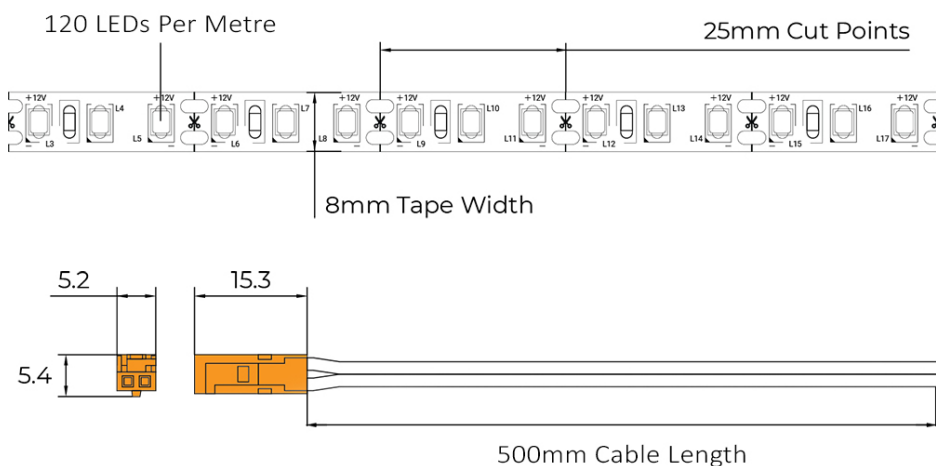
This all in one tape kit is designed to provide a professional level easy to use strip lighting solution by utilising the Syndeo Connection System. This tape comes with solderless components ready connect to get your circuit up and running with minimal hassle and installation time.

### This kit includes:

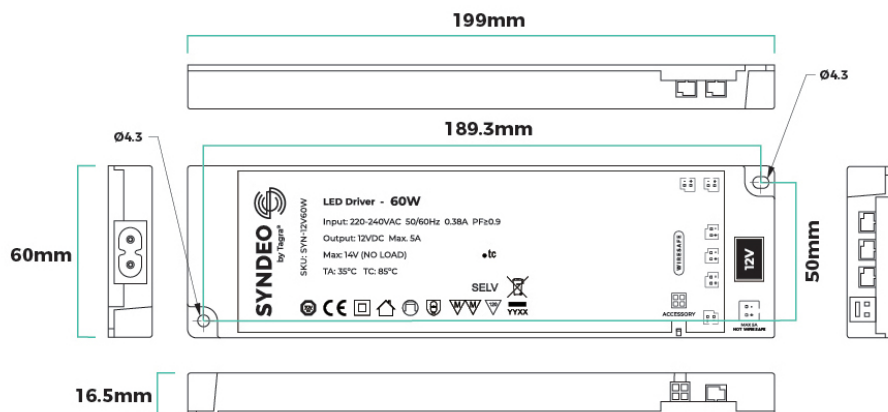
- 1 x 60W 12V Syndeo Plug and Play Driver
- 1 x 5 Metre Reel of Very Warm White LED Tape, 120 LEDs per metre.
- 6 x Cable to Tape Connection Adaptors
- 6 x 1500mm Syndeo 8mm Tinned End Cables

This tape can also be made to Dim or turn On/Off with the use of any of our Easy to Use dimmers and controllers.

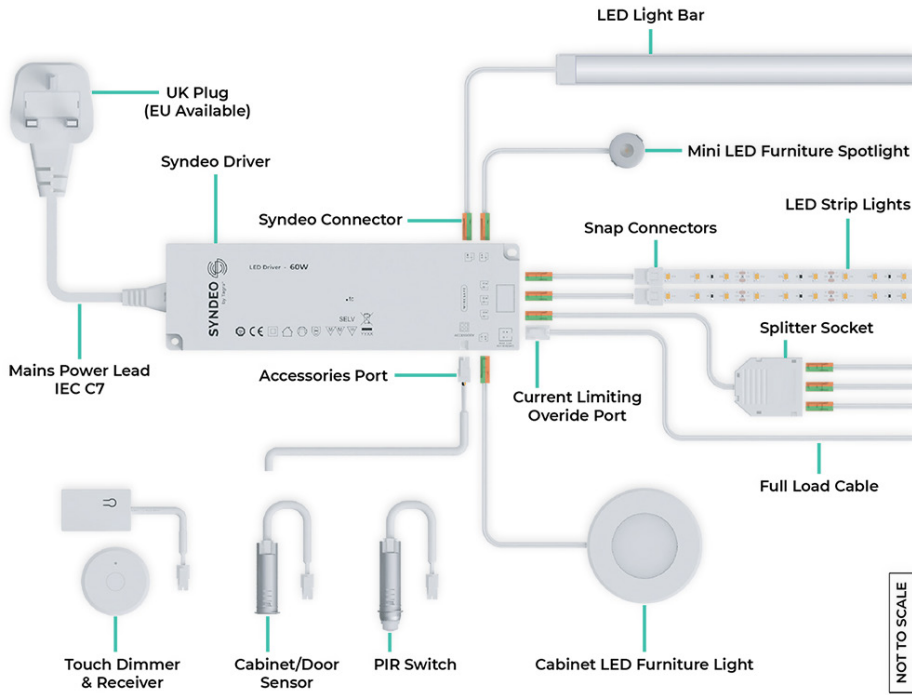
**Please Note:** A Maximum single run of up to 5 metres can be achieved with the supplied LED tape before visible voltage drops occur.



TAPE DIAGRAM



DRIVER DIAGRAM



## CONNECTION DIAGRAM