

# MAINS POWERED WALL MOUNTED TOUCH PANEL

| MODEL NO: PSCONN-MPSINGWALL / PSCONN-MPCCTWALL / PSCONN-MPRGBWALL / PSCONN-MPRGBWWALL / PSCONN-MPRGBCCTWALL



## TECHNICAL INFORMATION

### Specifications

Model	PSCONN-MPSINGWALL	PSCONN-MPCCTWALL	PSCONN-MPRGBWALL	PSCONN-MPRGBWWALL	PSCONN-MPRGBCCTWALL
Light Type	Single Colour	Dual Colour	RGB	RGBW	RGB+CCT
DMX Channels Out	4	8	12	16	20

Input & Output	Input Voltage	100 - 240V AC
	Input Current	Max. 0.1A
	Output Signal	DMX512, RF 2.4GHz

Dimming Data	Input Signal	Touch Key + RF 2.4GHz
	RF Control Distance	30m
	Dimming Level	256 levels
	Dimming Range	0 - 100%

Environment	Operational Temp.	ta: -30°C to +55°C
	Case Temp.	tc: +65°C
	IP Rating	IP20

Safety & EMC	EMC Standard (EMC)	EN301 489, EN62479
	Safety Standard (LVD)	EN60950
	Radio Equipment (RED)	EN300 328
	Certification	CE, EMC, LVD, RED

Weight	Net Weight	0.176kg
	Gross Weight	0.230kg

Warranty	Warranty	5 Years
----------	----------	---------



ultraleds.co.uk

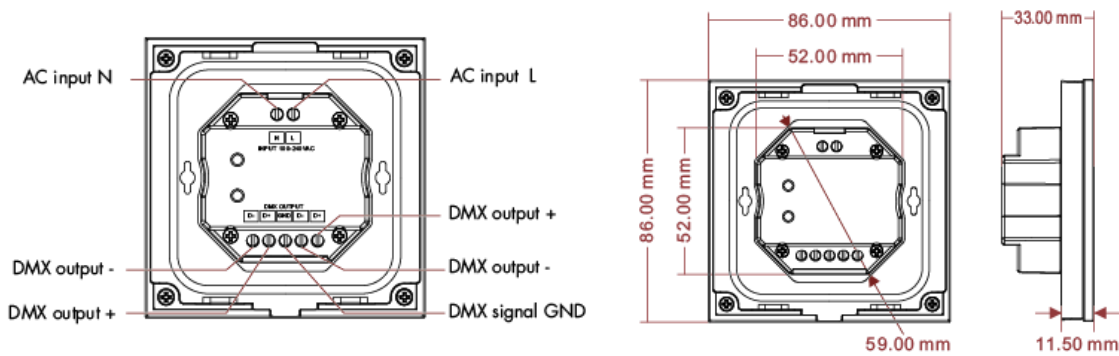
0800 088 3300

orders@ultraleds.co.uk

## FEATURES & BENEFITS

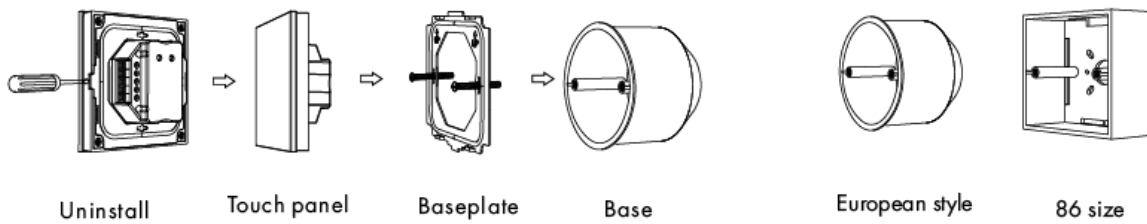
- Touch panel 4 zone 1-5 colour DMX512 master, can also be used as 4 zone 1-5 colour RF remote
- DMX signal output, comply to standard DMX512 protocol, compatible with DMX decoder from any supplier
- When used as RF remote, each zone can remote control multiple RF 2.4GHz LED controllers
- Ultra sensitive high strength glass touch panel with touch colour slide in the middle and backlighting
- Smooth and accurate colour adjustment by touching the colour slider
- Touch keys with LED indicator
- White & Black glass panel available

# MECHANICAL DIAGRAM



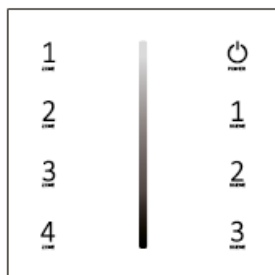
Installation diagram:

Typical base as below:



# KEY FUNCTION

## Single color panel



- Turn on/off all zone light.
- Brightness slide.
- 1 2 3** — Short press recall scene. Long press 2s to save the current state into 1/2/3.
- 1 2 3 4** — Short press turn on zone light and select zone simultaneously, long press 2s turn off zone light. 4 zone control separately or synchronously, each zone could control multiple receivers.

## Dual color panel



- Turn on/off all zone light.
- Color temperature.
- Brightness +, 10 levels.
- Brightness -, 10 levels.
- Short press recall scene. Long press 2s to save the current state into the scene.
- 1 2 3 4** — Short press turn on zone light and select zone simultaneously, long press 2s turn off zone light. 4 zone control separately or synchronously, each zone could control multiple receivers.

## RGB panel



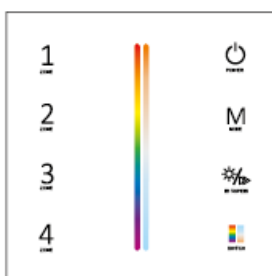
- Turn on/off all zone light.
  - Color slide.
  - M** Mode — Short press play 10 builtin dynamic mode, long press 2s run mode-cycle.
  - Adjust dynamic mode speed or RGB color saturation, 10 levels.
  - Adjust brightness, 10 levels.
  - 1 2 3 4**  
Zone Zone Zone Zone
- Short press turn on zone light and select zone simultaneously, long press 2s turn off zone light. 4 zone control seperately or synchronously, each zone could control multiple receivers.

## RGBW panel



- Turn on/off all zone light.
  - Color slide.
  - M** Mode — Short press play 10 builtin dynamic mode, long press 2s run mode-cycle.
  - Adjust dynamic mode speed or static color brightness, 10 levels.
  - W** White — Short press turn on/off W channel, long press adjust W channel brightness.
  - 1 2 3 4**  
Zone Zone Zone Zone
- Short press turn on zone light and select zone simultaneously, long press 2s turn off zone light. 4 zone control seperately or synchronously, each zone could control multiple receivers.

## RGB+CCT panel



- Turn on/off all zone light.
  - RGB color / Color temperature slide.
  - Switch between RGB color / Color temperature slide.
  - M** Mode — Short press play 10 builtin dynamic mode, long press 2s run mode-cycle.
  - Adjust dynamic mode speed or static color brightness, 10 levels.
  - 1 2 3 4**  
Zone Zone Zone Zone
- Short press turn on zone light and select zone simultaneously, long press 2s turn off zone light. 4 zone control seperately or synchronously, each zone could control multiple receivers.

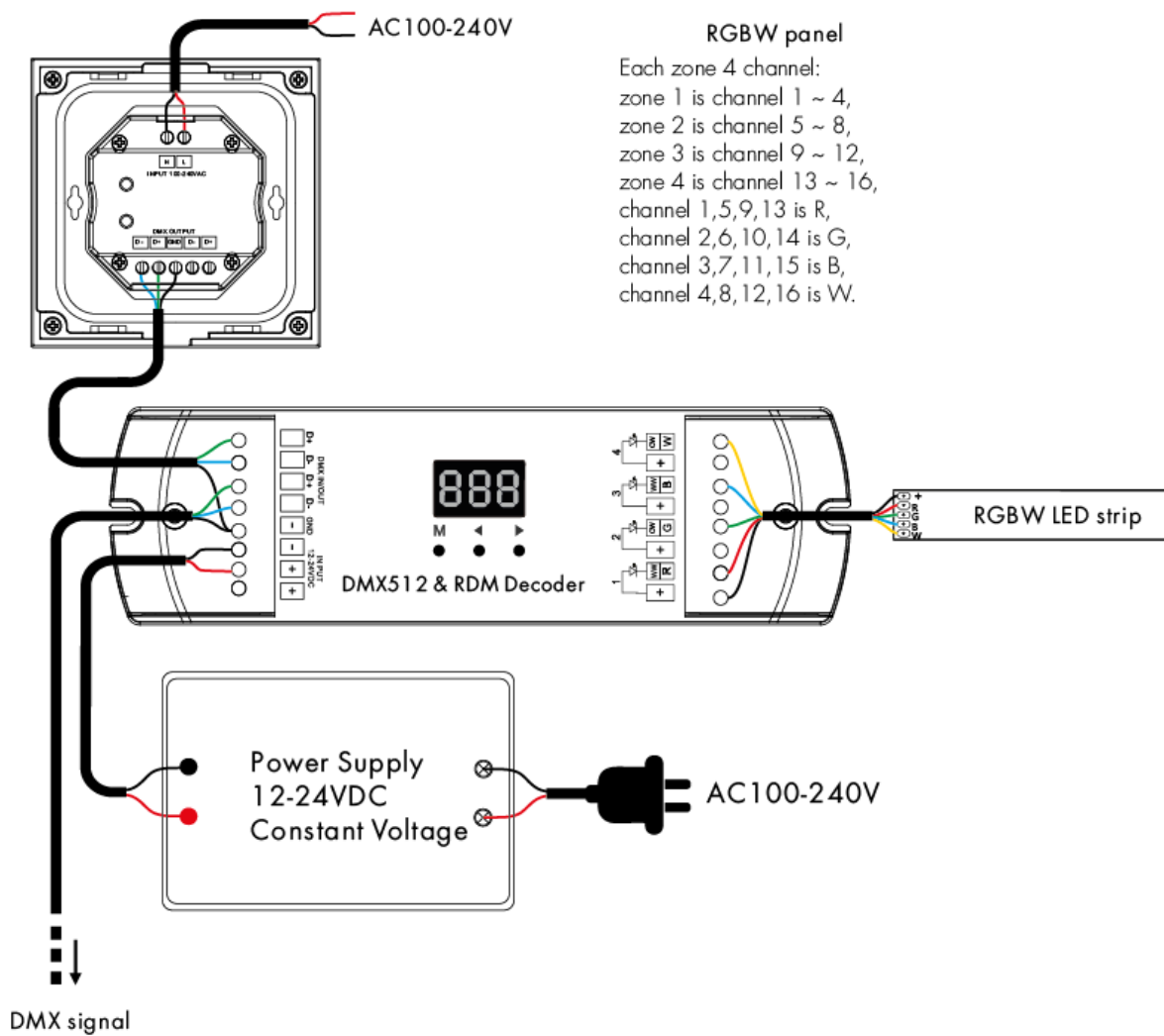
**Turn on key tone:** Long press power key for 5s when all zone light is off, will turn on or turn off key tone.

# TOUCH PANEL - AS DMX512 MASTER

After connect with DMX decoders, please set the DMX decoders address as below:

Model Type	Single Colour	CCT		RGB			RGBW				RGCCT				
		WW	CW	R	G	B	R	G	B	W	R	G	B	WW	CW
Zone 1 DMX decoder's address	1	1	2	1	2	3	1	2	3	4	1	2	3	4	5
Zone 2 DMX decoder's address	2	3	4	4	5	6	5	6	7	8	6	7	8	9	10
Zone 3 DMX decoder's address	3	5	6	7	8	9	9	10	11	12	11	12	13	14	15
Zone 4 DMX decoder's address	4	7	8	10	11	12	13	14	15	16	16	17	18	19	20

## WIRING DIAGRAM - AS DMX512 MASTER



## MATCH RF REMOTE - AS DMX512 MASTER

Touch panel 4 zone DMX512 master can also match with 4 zone RF remote (Optional).  
End user can choose the suitable match/delete ways. Two options are offered for selection:

### Use On/Off key

#### Match:

Turn on light, turn off, immediately press the On/Off key of the panel for 5s,  
then press any zone key of the RF remote within 5s.  
The LED indicator fast flash 3 times  
means match is successful.

#### Delete:

Turn on light, turn off, immediately press the On/Off key of the panel for 10s to delete all match,  
The LED indicator fast flash 6 times  
means all matched remotes were deleted.

### Use Power Restart

#### Match:

Switch off the power of the panel, then switch on power again,  
immediately short press any zone key 3 times on the remote.  
The LED indicator fast flash 3 times  
means match is successful.

#### Delete:

Switch off the power of the panel, then switch on power again,  
immediately short press any zone key 5 times on the remote.  
The LED indicator fast flash 6 times  
means all matched remotes were deleted.

## MATCH RF REMOTE

Touch panel 4 zone remote can match with RF controller for the corresponding light type.  
End user can choose the suitable match/delete ways. Two options are offered for selection:

### Use the controller's Match key

#### Match:

Short press match key, immediately press zone key of the touch panel.  
The LED indicator fast flash a few times  
means match is successful.

#### Delete:

Press and hold match key for 5s to delete all match,  
The LED indicator fast flash a few times  
means all matched remotes were deleted.

### Use Power Restart

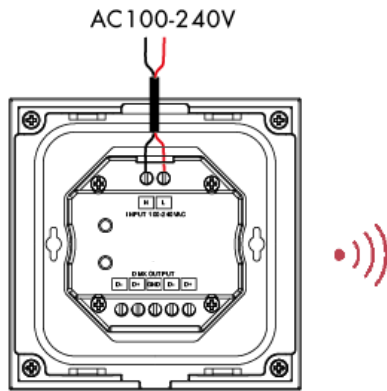
#### Match:

Switch off the power of the receiver, then switch on power again,  
immediately short press zone key 3 times on the touch panel.  
The light blinks 3 times means match is successful.

#### Delete:

Switch off the power of the receiver, then switch on power again,  
immediately short press zone key 5 times on the touch panel.  
The light blinks 5 times means all matched remotes were deleted.

## WIRING DIAGRAM - AS RF REMOTE



## RGB/RGBW DYNAMIC MODE LIST

No.	Name	No.	Name
1	RGB jump	6	RGB fade in and out
2	RGB smooth	7	Red fade in and out
3	6 color jump	8	Green fade in and out
4	6 color smooth	9	Blue fade in and out
5	Yellow cyan purple smooth	10	White fade in and out

## RGB + CCT DYNAMIC MODE LIST

No.	Name	No.	Name
1	RGB jump	6	RGB fade in and out
2	RGB smooth	7	Red fade in and out
3	6 color jump	8	Green fade in and out
4	6 color smooth	9	Blue fade in and out
5	Color temperature smooth	10	White fade in and out

## TROUBLESHOOTING

Malfunctions	Causes	Troubleshooting
No light	<ol style="list-style-type: none"> <li>No power.</li> <li>Wrong connection or insecure.</li> </ol>	<ol style="list-style-type: none"> <li>Check the power.</li> <li>Check the connection.</li> </ol>
Wrong color	<ol style="list-style-type: none"> <li>DMX decoder first address error.</li> <li>Wrong connection of output wires.</li> </ol>	<ol style="list-style-type: none"> <li>Check the DMX first address.</li> <li>Reconnect output wires.</li> </ol>