


12V TAGRA® PROFESSIONAL TRIAC DIMMABLE LED DRIVER, IP20, 100W

| SKU: TAGTRIAC12V100W



ULTRA LEDES

 ultraleds.co.uk

 0800 088 3300

 orders@ultraleds.co.uk



FEATURES & BENEFITS

- High Cost Performance
- SELV
- Open Circuit Protection
- Short Circuit Protection
- Overload Protection
- Over Temperature Protection
- Compliance to ERP directive
- TRIAC dimming
- Lifetime 30,000 Hours

24V

IP20



WHITE

SELV



TECHNICAL INFORMATION

Specifications

Output	Start Up Time	--
	Output Voltage	12V +/- 5%
	Output Current	2-8.33A
	Output Voltage Wave	<300mV
	Output Overload	Yes
	Dimming Mode	TRIAC
	Dimming Range	10% - 100% @230V

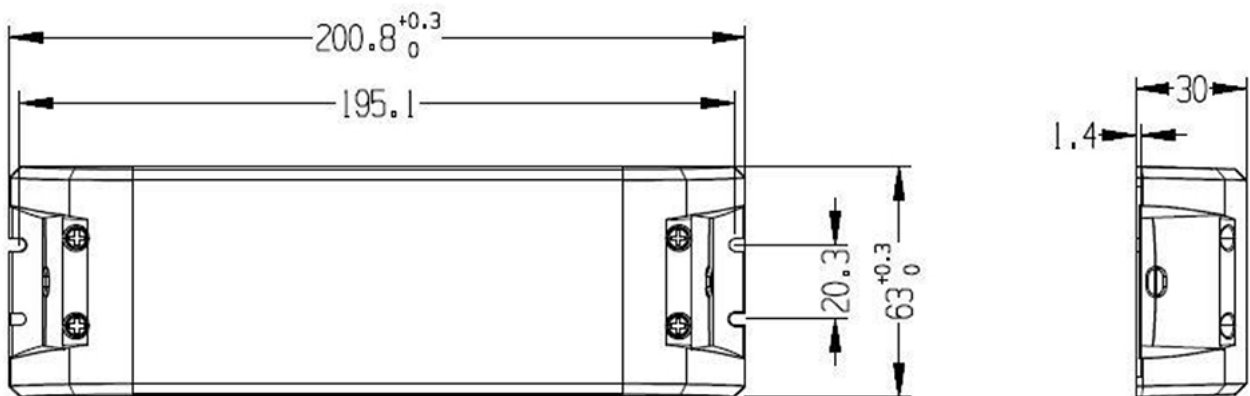
Input	Input Voltage	AC220-120V
	Input Frequency	50Hz
	Input Current	< 1A
	Input Power	< 120W
	Efficiency	> 85%
	Standby	--
	Inrush Current	< 75A
	Power Factor	> 0.9

Environment	Operating Temp.	-20°C~45°C
	Relative Humidity	45%-85% RH
	Max. Case Temp.	90°C
	Lifetime	30,000 Hours
	Working Noise	<35dB

Mechanical	Case Material	Plastic
	Mounting	Independent
	Insulation Type	Class II
	IP Rating	IP20
	Input Cables	H03VVH2-F 2 x 0.75mm ²
	Output Cables	H03VVH2-F 2 x 0.75mm ²
	Output Cables Length	Max. 2 Metres

Protection	Open Circuit	--
	Overload	Yes
	Short Circuit	Yes
	Over Temperature	Yes
	Over Voltage	Yes
	Auto Recovery	Yes
	Latch Off	--

Safety & EMC	Safety	IEC61347-1 IEC61347-2-13
	Harmonic	EN61000-3-2 Class C
	EMI	EN55015
	EMS	EN61547



DIMENSIONS