

## PRODUCT SPECIFICATION

### PRODUCT SPECIFICATION



#### High Power DMX Decoder&driver

**Model: PX24600**

Meets DMX512/1990

Can drive 6A

Can drive many kinds of LED lamps

**SUMMARIZE**

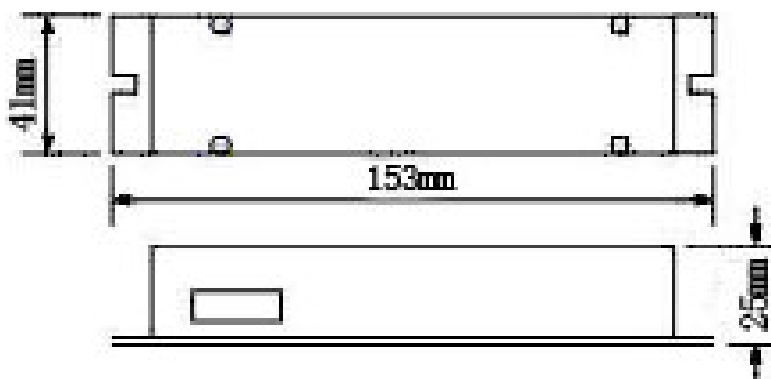
Thank you for using PX series DMX512 decoder. With advanced micro-computer control technology, PX series convert the widely used DMX512/1990 signal to analog signal. Support DMX dimming function (prior) and 0~10V analog signal dimmer.

**FEATHERS**

- ◆ Meets DMX512/1990
- ◆ 1 output CH., can drive 6A
- ◆ With control system, can express perfect effect
- ◆ Can set the DMX address freely
- ◆ Modularizing, can be combined with LED module neatly
- ◆ Can be custom-made

**TECH. CHARACTERISTICS**

Decode CH.: 1  
Input Signal: DMX-512/1990 digital signal  
Output Signal: 0~24V, can drive 6A  
Power Supply: DC12~24V  
Power Dis.: <1W  
Power Output: <144W  
Operating Temp.: 0~70°C  
Size: L153(mm)\*W41(mm)\*H25(mm), can be custom-made  
Weight: 221.5g

**DIMENSION**

**Appearance**

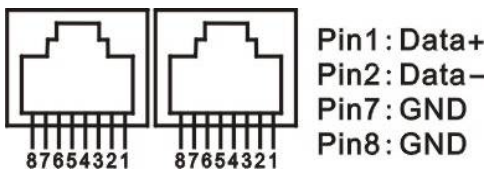


- (1) DMX signal input interface( RJ45)
- (2) Address setting interface
- (3) Driver output interface
- (4) Power input interface
- (5) 0~10V dimmer input interface

**Interface Introduction**

- ◆ DMX signal interface

**RJ45**

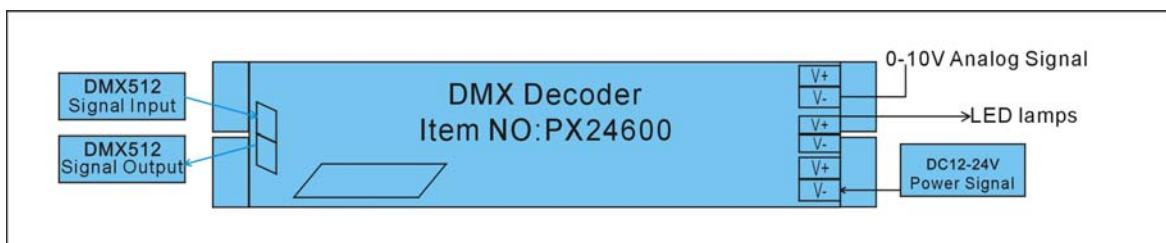


- ◆ Address setting interface  
Please find the detailed instruction for Address setting at Page 5.
- ◆ Power input interface  
DC 12-24V input, supply power for decoder and the lamps it takes.
- ◆ Driver output interface  
Common anode, V+ and V- interface, can drive single-color module.  
Can regulate output current according to the actual load.

remark:

Connect the anode wire of single-color module to V+ on decoder, and connect the cathode wire to V- on decoder.

**TYPICAL APPLICATIONS**



**Connecting of DMX-512 Signal**

- ◆ The wire for DMX signal is STP, the DMX signal has positive and negative signal. Pay attention to the polarity while soldering. Connect the positive signal, negative signal and GND to the corresponding signal of PX24600.
- ◆ Connect a signal terminal at the end of the whole connection.

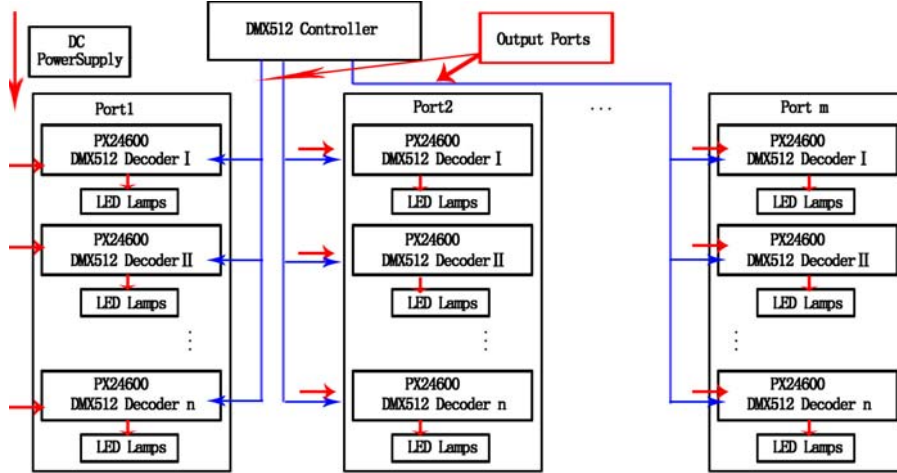
**Connection with DMX-512 Dimmer**

- ◆ DMX dimming signal will be chosen prior to 0~10V analog signal. When both DMX and 0~10V analog signal terminals are plugged into PX24600, the controller will choose DMX signal automatically. If you need 0~10V analog signal only, please take off the DMX512 dimming signal terminal.

**How To Use**

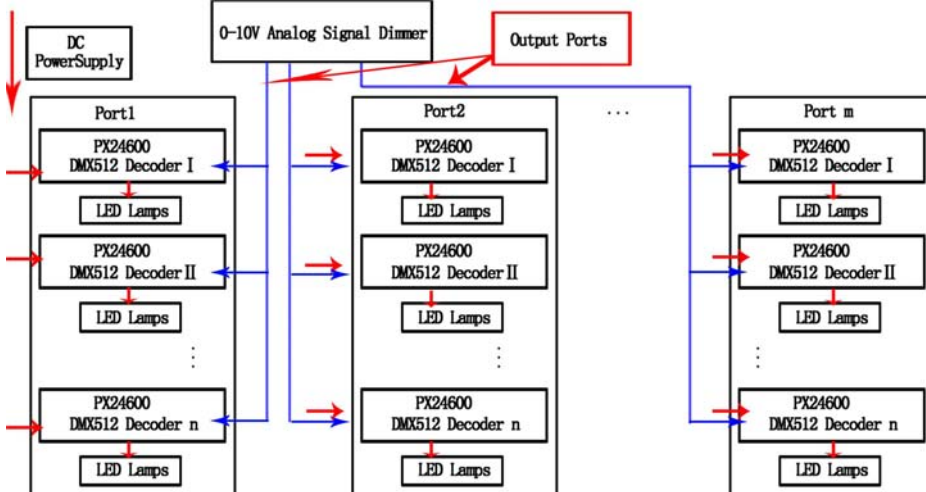
PX24600 is controlled by DMX-512 digital signal. The frontage is DMX512 transmitter, take EC-DMX512 for example, to control 0~24V analog devices. We suppose to drive LED to introduce it. The connecting is below:

◆ **Connecting to DMX512 Controller**



Notes:  
 1. "m" is the amount of controller output port  
 2. "n" is the max. amount of terminals for each port

◆ **Connecting to 0~10V Analog Signal Dimmer**



Notes:  
 1. "m" is the amount of controller output port  
 2. "n" is the max. amount of terminals for each port