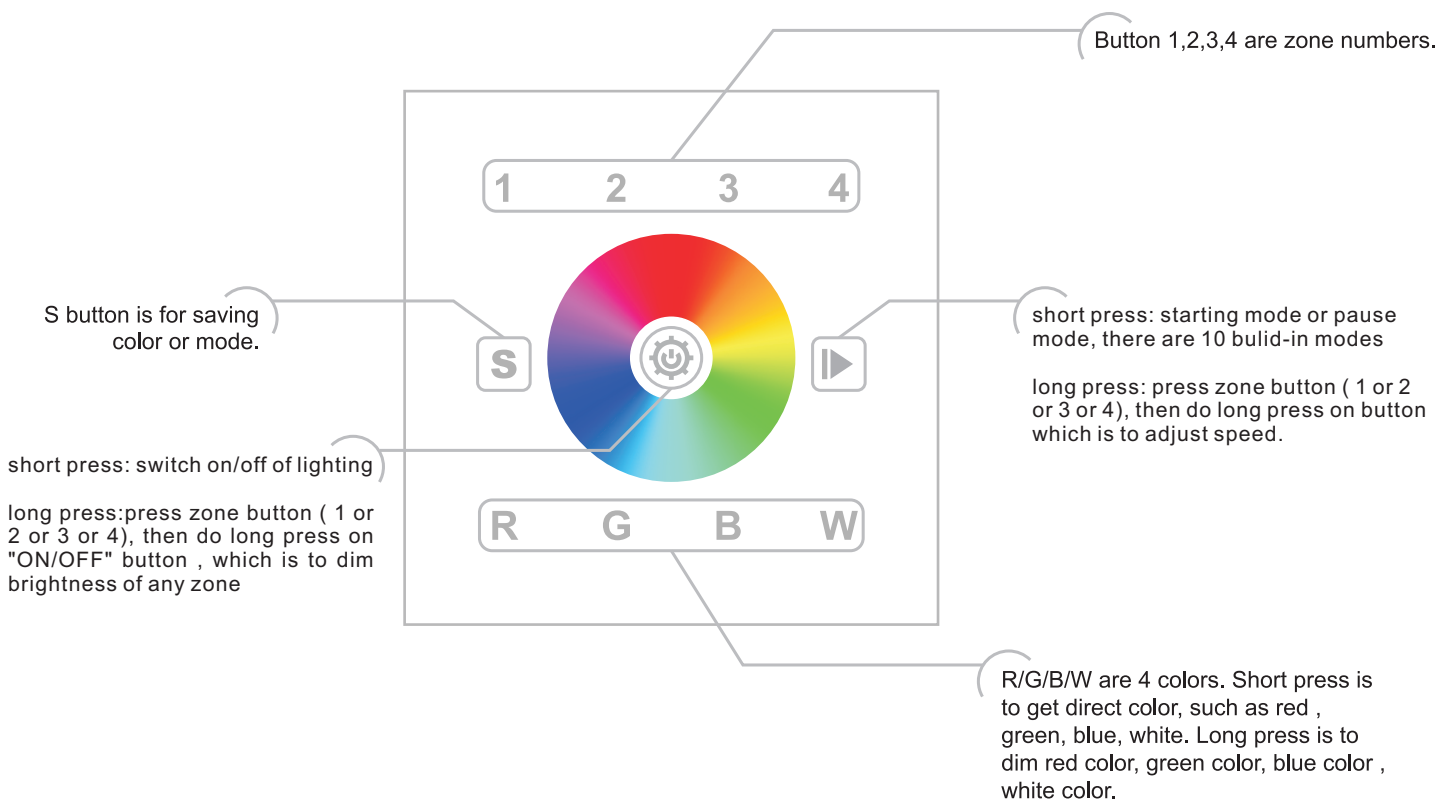


# SR-2812 User Manual

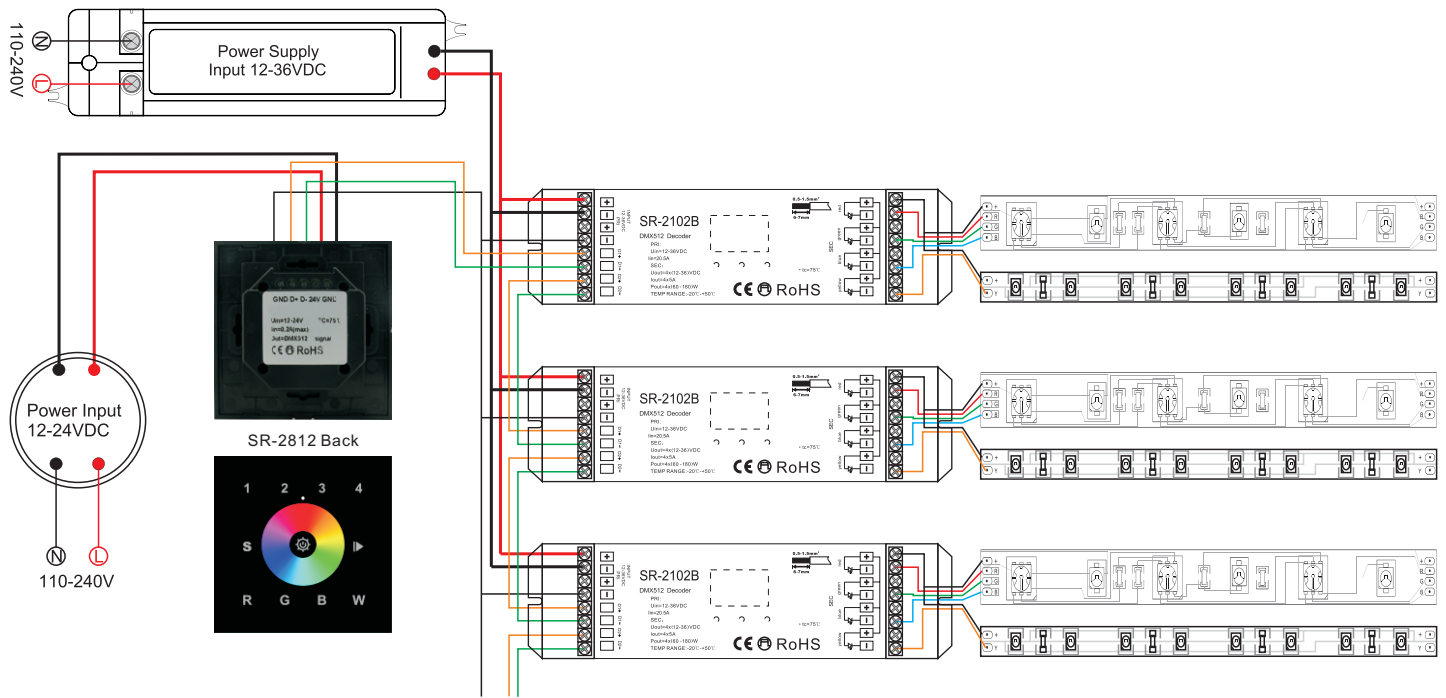


## 1.Button introduction



## 2.Wiring

Please do connection as below picture



## 3.Operation

### a.how to operate zone button

Each zone will get 4 addresses. Such as button one is address from 1-4, then button 2 is 5-8. Button 3 is 9-12, button 4 is 13-16. There are total 16 address.

Zone 1 address is from 1 - 4. Address .Zone 2 address is from 5 - 8.  
Zone 3 address is from 9 - 12. Zone 4 address is from 13 - 16.

Take zone 1 as an example, address 1 indicates the channel of "R" (red); address 2 indicates the channel of "G" (green); address 3 indicates the channel of "B" (blue); address 4 indicates the channel of "W" (white / yellow / any color). So do the address from zone 2,3,4(address:5-8, 9-12,13-16).

We control DMX controllers of each zone by different DMX address.

**Note: the address of zone 1 is fixed from 1-4; the address of zone 2 is fixed from 5-8; the address of zone 3 is fixed from 9-12; the address of zone 4 is fixed from 13-16. So we only can change the address of DMX decoder, then corresponding zone can control DMX decoder separately or synchronously.**

### b.how to save color or mode

**S** Button can save the color from mode or save color when you touch color wheel.

In "S" button, it saved "R/ G/ B" 3 colors in default. But with your operation, you can save another 3 colors replace those R/G/B colors.

Press any zone button----> press ► button, mode runs, see favorite mode----> press "S" button over 3 seconds until connected light flashes. Then it saved successfully.

Press any zone button----> touch ◻ color wheel, see favorite color----> press "S" button over 3 seconds until connected light flashes. Then it saved successfully.